

Note, the perspective 3d only shows the overall shape and proportions of the fixture. The perspective 3d visual doesn't accurately represent the details and thickness material

CADLUME S.E.N.C.

800 Ridgeway Ave.  
Montreal, Quebec, Canada H3P 1G8  
438-330-4688, 514-441-8787  
cadlumedesign@gmail.com

Project Name : Bell

Client Name : TSK Hosp

Type : Pendant

Quantity : 3 Units

Dimensions :  $\varnothing 7 \frac{3}{8}'' \times 29 \frac{1}{2}''$  OAH

Location : Dry Location

Finish : White Plant  
Brushed Brass

Note : Finishes may be subject to minor variations due to color dye lots & individual application

Est. Weight : 6 Lbs

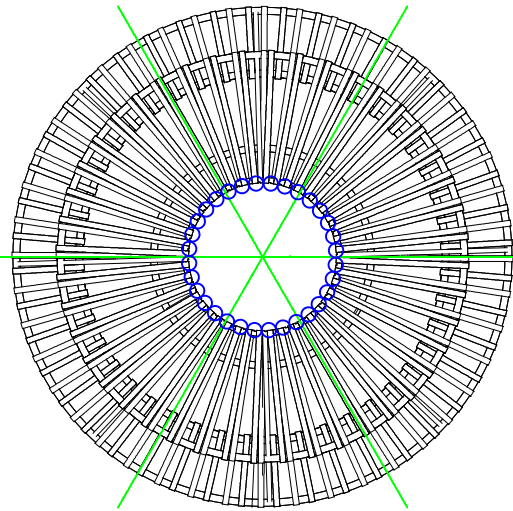
Scale : 1:3

Lamp Type : LED, 120-277V,  
4000K ,E-26 Base x 1  
Wattage : 9 W

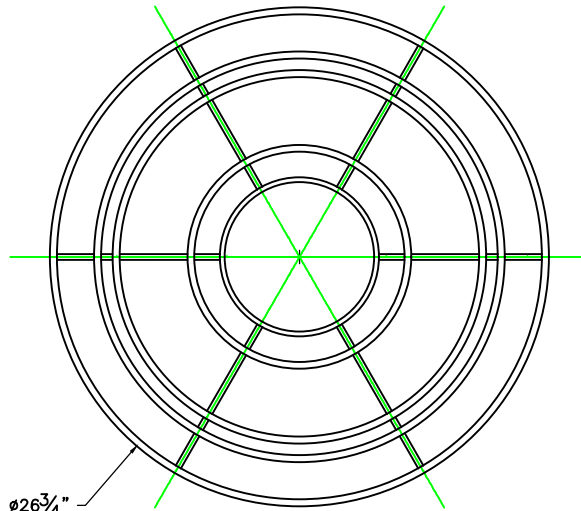
This drawing and / or product is protected by the copyright laws of Canada and The United States of America. Minor modifications may develop due to manufacturing process and constraints

Approval Stamp.

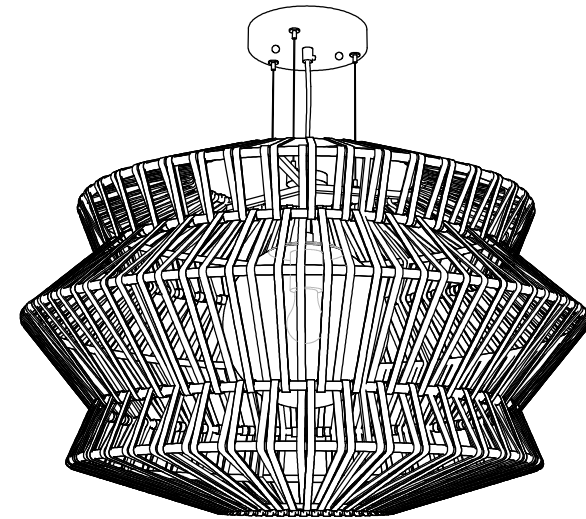
Note :



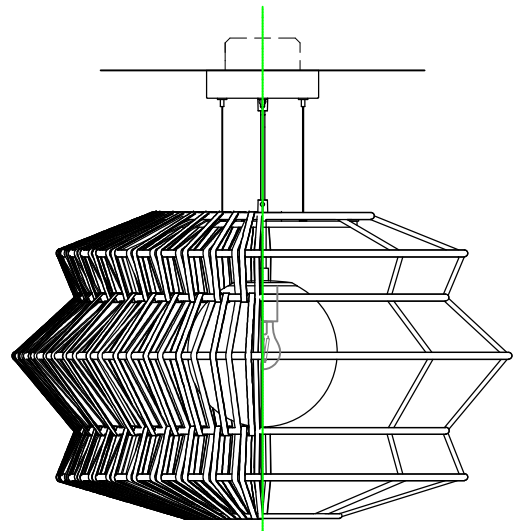
BOTTOM VIEW



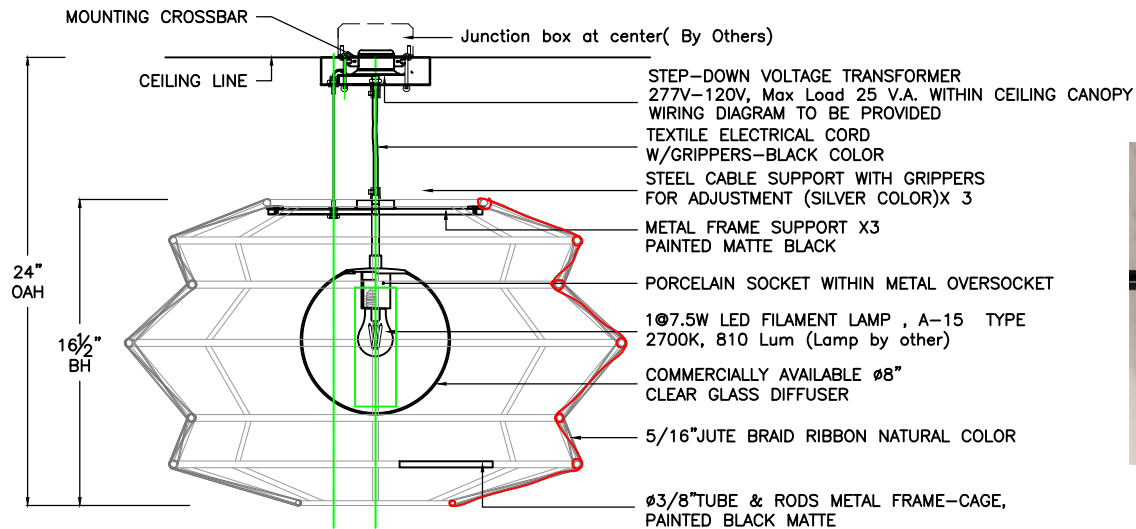
METAL FRAME CAGE PLAN VIEW



PERSPECTIVE 3D VIEW  
PERSPECTIVE VISUAL NTS



ELEVATION / SECTION



SECTION



MOCK UP IMAGE  
5/16"JUTE BRAID  
RIBBON NATURAL COLOR

COPYRIGHT @ 2020 CADLUME S.E.N.C.

Issue Date : 2021-11-11

Revisions

Date Description

Project Number : Q-8718

Job Number : 204767

Drawing Number : 9 of 9

Sheet Number : 1/1

Checked By : Andrey Tretyakov

Drawn By : Adeljorn Arne